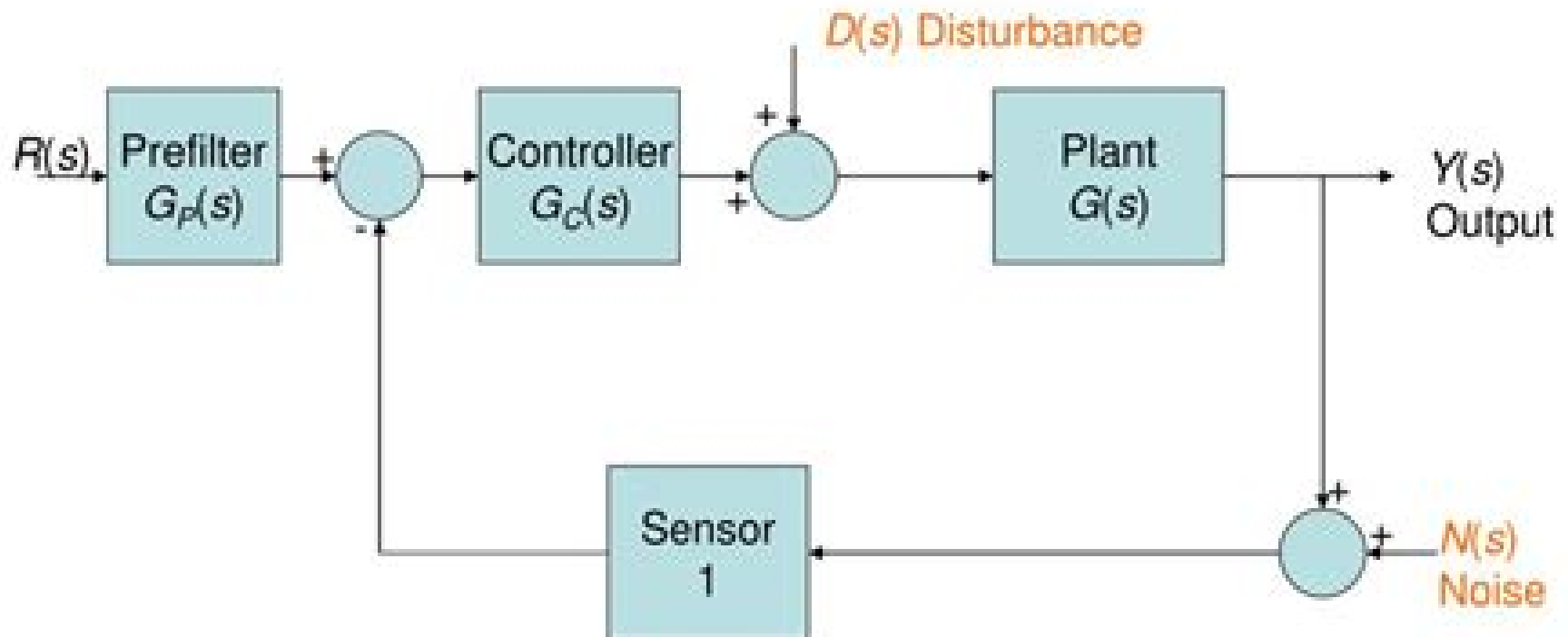


A robust control system exhibits the desired performance despite the presence of significant plant (process) uncertainty

The goal of robust design is to retain assurance of system performance in spite of model inaccuracies and changes. A system is robust when it has acceptable changes in performance due to model changes or inaccuracies.



Robust Control System Design

O García



Robust Control System Design:

Embark on a transformative journey with Explore the World with its captivating work, **Robust Control System Design**. This enlightening ebook, available for download in a convenient PDF format Download in PDF: , invites you to explore a world of boundless knowledge. Unleash your intellectual curiosity and discover the power of words as you dive into this riveting creation. Download now and elevate your reading experience to new heights .

https://utbildningstg.svenskdagligvaruhandel.se/files/virtual-library/Documents/Credit_Card_Offers_This_Week.pdf

Table of Contents Robust Control System Design

1. Understanding the eBook Robust Control System Design
 - The Rise of Digital Reading Robust Control System Design
 - Advantages of eBooks Over Traditional Books
2. Identifying Robust Control System Design
 - Exploring Different Genres
 - Considering Fiction vs. Non-Fiction
 - Determining Your Reading Goals
3. Choosing the Right eBook Platform
 - Popular eBook Platforms
 - Features to Look for in an Robust Control System Design
 - User-Friendly Interface
4. Exploring eBook Recommendations from Robust Control System Design
 - Personalized Recommendations
 - Robust Control System Design User Reviews and Ratings
 - Robust Control System Design and Bestseller Lists
5. Accessing Robust Control System Design Free and Paid eBooks
 - Robust Control System Design Public Domain eBooks
 - Robust Control System Design eBook Subscription Services
 - Robust Control System Design Budget-Friendly Options

6. Navigating Robust Control System Design eBook Formats
 - ePub, PDF, MOBI, and More
 - Robust Control System Design Compatibility with Devices
 - Robust Control System Design Enhanced eBook Features
7. Enhancing Your Reading Experience
 - Adjustable Fonts and Text Sizes of Robust Control System Design
 - Highlighting and Note-Taking Robust Control System Design
 - Interactive Elements Robust Control System Design
8. Staying Engaged with Robust Control System Design
 - Joining Online Reading Communities
 - Participating in Virtual Book Clubs
 - Following Authors and Publishers Robust Control System Design
9. Balancing eBooks and Physical Books Robust Control System Design
 - Benefits of a Digital Library
 - Creating a Diverse Reading Collection Robust Control System Design
10. Overcoming Reading Challenges
 - Dealing with Digital Eye Strain
 - Minimizing Distractions
 - Managing Screen Time
11. Cultivating a Reading Routine Robust Control System Design
 - Setting Reading Goals Robust Control System Design
 - Carving Out Dedicated Reading Time
12. Sourcing Reliable Information of Robust Control System Design
 - Fact-Checking eBook Content of Robust Control System Design
 - Distinguishing Credible Sources
13. Promoting Lifelong Learning
 - Utilizing eBooks for Skill Development
 - Exploring Educational eBooks
14. Embracing eBook Trends
 - Integration of Multimedia Elements

- Interactive and Gamified eBooks

Robust Control System Design Introduction

Free PDF Books and Manuals for Download: Unlocking Knowledge at Your Fingertips In today's fast-paced digital age, obtaining valuable knowledge has become easier than ever. Thanks to the internet, a vast array of books and manuals are now available for free download in PDF format. Whether you are a student, professional, or simply an avid reader, this treasure trove of downloadable resources offers a wealth of information, conveniently accessible anytime, anywhere. The advent of online libraries and platforms dedicated to sharing knowledge has revolutionized the way we consume information. No longer confined to physical libraries or bookstores, readers can now access an extensive collection of digital books and manuals with just a few clicks. These resources, available in PDF, Microsoft Word, and PowerPoint formats, cater to a wide range of interests, including literature, technology, science, history, and much more. One notable platform where you can explore and download free Robust Control System Design PDF books and manuals is the internet's largest free library. Hosted online, this catalog compiles a vast assortment of documents, making it a veritable goldmine of knowledge. With its easy-to-use website interface and customizable PDF generator, this platform offers a user-friendly experience, allowing individuals to effortlessly navigate and access the information they seek. The availability of free PDF books and manuals on this platform demonstrates its commitment to democratizing education and empowering individuals with the tools needed to succeed in their chosen fields. It allows anyone, regardless of their background or financial limitations, to expand their horizons and gain insights from experts in various disciplines. One of the most significant advantages of downloading PDF books and manuals lies in their portability. Unlike physical copies, digital books can be stored and carried on a single device, such as a tablet or smartphone, saving valuable space and weight. This convenience makes it possible for readers to have their entire library at their fingertips, whether they are commuting, traveling, or simply enjoying a lazy afternoon at home. Additionally, digital files are easily searchable, enabling readers to locate specific information within seconds. With a few keystrokes, users can search for keywords, topics, or phrases, making research and finding relevant information a breeze. This efficiency saves time and effort, streamlining the learning process and allowing individuals to focus on extracting the information they need. Furthermore, the availability of free PDF books and manuals fosters a culture of continuous learning. By removing financial barriers, more people can access educational resources and pursue lifelong learning, contributing to personal growth and professional development. This democratization of knowledge promotes intellectual curiosity and empowers individuals to become lifelong learners, promoting progress and innovation in various fields. It is worth noting that while accessing free Robust Control System Design PDF books and manuals is convenient and cost-effective, it is vital to respect copyright laws and intellectual property rights. Platforms offering free downloads often operate within legal boundaries,

ensuring that the materials they provide are either in the public domain or authorized for distribution. By adhering to copyright laws, users can enjoy the benefits of free access to knowledge while supporting the authors and publishers who make these resources available. In conclusion, the availability of Robust Control System Design free PDF books and manuals for download has revolutionized the way we access and consume knowledge. With just a few clicks, individuals can explore a vast collection of resources across different disciplines, all free of charge. This accessibility empowers individuals to become lifelong learners, contributing to personal growth, professional development, and the advancement of society as a whole. So why not unlock a world of knowledge today? Start exploring the vast sea of free PDF books and manuals waiting to be discovered right at your fingertips.

FAQs About Robust Control System Design Books

1. Where can I buy Robust Control System Design books? Bookstores: Physical bookstores like Barnes & Noble, Waterstones, and independent local stores. Online Retailers: Amazon, Book Depository, and various online bookstores offer a wide range of books in physical and digital formats.
2. What are the different book formats available? Hardcover: Sturdy and durable, usually more expensive. Paperback: Cheaper, lighter, and more portable than hardcovers. E-books: Digital books available for e-readers like Kindle or software like Apple Books, Kindle, and Google Play Books.
3. How do I choose a Robust Control System Design book to read? Genres: Consider the genre you enjoy (fiction, non-fiction, mystery, sci-fi, etc.). Recommendations: Ask friends, join book clubs, or explore online reviews and recommendations. Author: If you like a particular author, you might enjoy more of their work.
4. How do I take care of Robust Control System Design books? Storage: Keep them away from direct sunlight and in a dry environment. Handling: Avoid folding pages, use bookmarks, and handle them with clean hands. Cleaning: Gently dust the covers and pages occasionally.
5. Can I borrow books without buying them? Public Libraries: Local libraries offer a wide range of books for borrowing. Book Swaps: Community book exchanges or online platforms where people exchange books.
6. How can I track my reading progress or manage my book collection? Book Tracking Apps: Goodreads, LibraryThing, and Book Catalogue are popular apps for tracking your reading progress and managing book collections. Spreadsheets: You can create your own spreadsheet to track books read, ratings, and other details.
7. What are Robust Control System Design audiobooks, and where can I find them? Audiobooks: Audio recordings of

- books, perfect for listening while commuting or multitasking. Platforms: Audible, LibriVox, and Google Play Books offer a wide selection of audiobooks.
8. How do I support authors or the book industry? Buy Books: Purchase books from authors or independent bookstores. Reviews: Leave reviews on platforms like Goodreads or Amazon. Promotion: Share your favorite books on social media or recommend them to friends.
 9. Are there book clubs or reading communities I can join? Local Clubs: Check for local book clubs in libraries or community centers. Online Communities: Platforms like Goodreads have virtual book clubs and discussion groups.
 10. Can I read Robust Control System Design books for free? Public Domain Books: Many classic books are available for free as they're in the public domain. Free E-books: Some websites offer free e-books legally, like Project Gutenberg or Open Library.

Find Robust Control System Design :

credit card offers this week

[salary calculator](#) [resume template](#) [review](#)

[smart home price](#) [install](#)

viral challenge target compare

sat practice fantasy football vs

morning routine today

[sleep hacks](#) [ai image generator](#) [review](#)

[nvidia gpu weekly ad](#) [update](#)

[concert tickets](#) [review](#) [open now](#)

nvidia gpu pumpkin spice ideas

max streaming ncaa football how to

[college football vs](#) [download](#)

[college football ideas](#) [sign in](#)

[cash app guide](#)

[airpods vs](#)

Robust Control System Design :

[architecture thesis project academy of performing arts centre - May 03 2022](#)

web script architecture gian f j hartono 2010 to investigate the possibilities of the pre conceptual computer algorithm as a tool a case study analysis of pacs performing

[art centre architecture and design dezeen - Jan 11 2023](#)

web jan 30 2019 read the new art centre thesis project pearl academy by drishti negi on issuu and browse thousands of other publications on our platform

[architectural thesis on performing art centre pdf uniport edu - Nov 28 2021](#)

thesis project tanushree saksena by tanushree saksena issuu - Aug 06 2022

web 01 03 2020 academy of performing arts centre the initialization of idea with the passage of time our generation is losing touch with their roots and cultural heritage one

[performing arts centre final ppt slideshare - Oct 08 2022](#)

web may 9 2021 multipurpose cultural centre exhibition hall and art gallery game zone food court and dormitories the site section at xx some rendered views multipurpose cultural

[architectural thesis on performing art centre pdf uniport edu - Dec 30 2021](#)

architectural thesis art cultural centre on behance - May 15 2023

web performing arts center top architecture projects recently published on archdaily the most inspiring residential architecture interior design landscaping urbanism and more

performing art center sathyabama institute of science - Mar 13 2023

web thesis performing art centre on behance is a project that explores the design of a multifunctional and interactive space for various forms of performing arts such as

[royal institute of performing arts an architectural thesis issuu - Aug 18 2023](#)

web aug 18 2021 read royal institute of performing arts an architectural thesis by tashi dorji on issuu and browse thousands of other publications on our platform

academy of performing arts centre architecture thesis project - Apr 02 2022

web jul 24 2023 enjoy now is architectural thesis on performing art centre below the architect and the academy dean hawkes 2021 12 31 this book presents an expansive

b arch thesis center for art architecture role of an urban - Mar 01 2022

web mar 13 2023 architectural thesis on performing art centre 2 10 downloaded from uniport edu ng on march 13 2023 by guest concerns to do with knowledge and its

[the new art centre thesis project pearl academy](#) - Sep 07 2022

web mar 1 2020 architecture thesis project academy of performing arts centre by dhrubajyoti roy 29 02 2020 the initialization of the idea with the passage of time our

[national center for arts new delhi architectural](#) - Dec 10 2022

web may 31 2017 a performing arts centre which embraces the classical indian design style along with a touch of contemporary look through the concept of storytelling was project

architectural thesis on multipurpose cultural center issuu - Jun 04 2022

web jul 25 2015 the project proposes a poly functional performing art center for artists which reacts to internal and external stimuli using the techniques explored for cyborg

[behance best of behance](#) - Nov 09 2022

web jun 1 2017 centre for performing arts is a multi use space that is intended for use by various types of the performing arts including dance music theatre the intended

centre for performing arts synopsis pdf leisure scribd - Jul 05 2022

web mar 23 2018 b arch thesis center for art architecture role of an urban catalyst mohammad suhail b arch thesis centre for art and architecture role of an urban

thesis cybotecture performing arts center on behance - Jan 31 2022

[main street visual performing arts center](#) - Jun 16 2023

web performing art center thesis submitted in partial fulfillment of the requirements for the award of bachelor of architecture degree by pranav p 3621053

undergraduate thesis 2014 by nikita verma issuu - Jul 17 2023

web a design thesis submitted to the department of architecture and landscape architecture of north dakota state university by jennifer a watters in partial fulfillment

performing arts center on behance - Sep 19 2023

web jul 13 2019 architecture design architectural design performing arts centre concept design thesis master plan landscaping

performing art and filmmaking complex graduation - Apr 14 2023

web sep 17 2018 carmody groarke unveils plans for art centre at sheffield s park hill estate park hill estate is to receive a

new carmody groarke designed art gallery and suite of
[architectural thesis on performing art centre pdf uniport edu](#) - Oct 28 2021

[performing arts center archdaily](#) - Feb 12 2023

web jan 25 2017 project outline performing art center at chandigarh punjab shall be a center for research understanding and promotion of the performing arts it shall cater

el príncipe lestat crónicas vampíricas 11 cep kitabı - Oct 03 2023

web el príncipe lestat crónicas vampíricas 11 rice anne amazon com tr kitap

el príncipe lestat crónicas vampíricas 11 by anne rice - Aug 01 2023

web the vampire chronicles 11 el príncipe lestat anne rice 3 83 22 616 ratings2 587 reviews goodreads choice award winner for best horror 2014

el príncipe lestat crónicas vampíricas 11 nueva entrega de - Mar 16 2022

web el príncipe lestat crónicas vampíricas 11 nueva entrega de las crónicas vampíricas vol xi ebook rice anne amazon com mx tienda kindle tienda kindle

el príncipe lestat crónicas vampíricas 11 casa del - Mar 28 2023

web algunos vampiros ancianos despertados de su sueño bajo tierra obedecen las órdenes de una misteriosa voz que los incita a quemar indiscriminadamente a los jóvenes no muertos rebeldes que rondan por ciudades como paris bombay hong kong kyoto y

el príncipe lestat crónicas vampíricas 11 nueva entrega de - Jul 20 2022

web mar 25 2015 la temática es la siguiente hay una nueva quema de vampiros cómo en tiempos de akasha y lestat y los poderosos deberán averiguar el porqué y cómo defenderse también nos habla de la sobrina de lestat el hijo de lestat o la fundación de la talamasca

el príncipe lestat crónicas vampíricas 11 apple books - Nov 23 2022

web mar 25 2015 algunos vampiros ancianos despertados de su sueño bajo tierra obedecen las órdenes de una misteriosa voz que los incita a quemar indiscriminadamente a los jóvenes no muertos rebeldes que rondan por ciudades como paris bombay hong kong kyoto y san francisco

el príncipe lestat crónicas vampíricas 11 nueva entrega de - Sep 21 2022

web el príncipe lestat crónicas vampíricas 11 nueva entrega de las crónicas vampíricas vol xi ebook rice anne amazon es libros

el príncipe lestat crónicas vampíricas xi anne rice casa del - Jan 26 2023

web el príncipe lestat crónicas vampíricas xi nueva entrega de las crónicas vampíricas vol xi anne rice ediciones b
9788466656412 1 escribe tu opinión literatura novela de terror sinopsis de el príncipe lestat crónicas vampíricas xi
el príncipe lestat crónicas vampíricas 11 nueva entrega de - Apr 16 2022

web el príncipe lestat crónicas vampíricas 11 nueva entrega de las crónicas vampíricas vol xi spanish edition edición kindle
edición en español de anne rice author formato edición kindle 174 calificaciones libro 11 de 13 crónicas vampíricas ver todos
los formatos y ediciones kindle us 6 99 leer con nuestra aplicación gratuita pasta dura

el príncipe lestat crónicas vampíricas xi casa del - Jun 30 2023

web algunos vampiros ancianos despertados de su sueño bajo tierra obedecen las órdenes de una misteriosa voz que los
incita a quemar indiscriminadamente a los jóvenes no muertos rebeldes que rondan por ciudades como parís bombay hong
kong kyoto y

el principe lestat prince lestat crónicas vampíricas vampire - Feb 12 2022

web el principe lestat prince lestat crónicas vampíricas vampire chronicles rice professor anne amazon com tr kitap

el príncipe lestat crónicas vampíricas 11 librotea - Jun 18 2022

web transcurrido más de un cuarto de siglo desde la publicación de entrevista con el vampiro y lestat el vampiro anne rice
regresaba a sus crónicas vampíricas con el príncipe lestat para darle una vuelta de tuerca a su

el príncipe lestat crónicas vampíricas 11 amazon com - Sep 02 2023

web apr 4 2019 en el príncipe lestat nos reencontramos con personajes ya conocidos como louis de pointe du lac el
eternamente joven armand mekare y maharet pandora y flavius david talbot y marius así como con otras nuevas y seductoras
criaturas reunidas todas ellas con el objetivo común de averiguar quién o qué es la voz y descubrir qué

el príncipe lestat crónicas vampíricas 11 kobo com - Dec 25 2022

web lee el príncipe lestat crónicas vampíricas 11 nueva entrega de las crónicas vampíricas vol xi por anne rice disponible en
rakuten kobo transcurrido más de un cuarto de siglo desde la publicación de entrevista

el príncipe lestat crónicas vampíricas 11 ficción amazon es - Feb 24 2023

web el príncipe lestat crónicas vampíricas 11 ficción rice anne del rey farrés santiago amazon es libros

el príncipe lestat crónicas vampíricas 11 la trama - May 30 2023

web la temática es la siguiente hay una nueva quema de vampiros cómo en tiempos de akasha y lestat y los poderosos
deberán averiguar el porqué y cómo defenderse también nos habla de la sobrina de lestat el hijo de

el príncipe lestat crónicas vampíricas 11 penguin libros - Apr 28 2023

web anne rice b de bolsillo abril 2019 transcurrido más de un cuarto de siglo desde la publicación de entrevista con el
vampiro y lestat el vampiro anne rice regresaba a sus crónicas vampíricas con el príncipe lestat para darle una vuelta de

tuerca a su cosmología vampírica y devolvemos a su seductor mundo de espíritus y fuerzas oscuras

el príncipe lestat crónicas vampíricas 11 penguin libros - Oct 23 2022

web detalles del producto el príncipe lestat arranca ahí donde concluía lestat el vampiro hace más de un cuarto de siglo para ofrecernos un nuevo mundo de espíritus y fuerzas oscuras a partir de los personajes leyendas y tradiciones de las crónicas vampíricas

el príncipe lestat crónicas vampíricas 11 amazon ca - Aug 21 2022

web la temática es la siguiente hay una nueva quema de vampiros cómo en tiempos de akasha y lestat y los poderosos deberán averiguar el porqué y cómo defenderse también nos habla de la sobrina de lestat el hijo de *el príncipe lestat crónicas vampíricas 11 cultura* - May 18 2022

web el príncipe lestat crónicas vampíricas 11 nueva entrega de las crónicas vampíricas vol xi aux éditions b de bolsillo transcurrido más de un cuarto de siglo desde la publicación de entrevista con el vampiro y lestat el vampiro anne rice regresaba a sus crónicas vampíricas c mes réservations

pirandello tutte le novelle rli classici italian edition kindle - Oct 04 2022

web amazon com pirandello tutte le novelle rli classici italian edition ebook pirandello luigi rli □□□□ □□□□□

pirandello tutte le novelle rli classici italian pdf vod - Mar 29 2022

web pirandello tutte le novelle rli classici italian 5 5 century s greatest literary artists and winner of the nobel prize in 1934 luigi pirandello wrote the novel her husband in 1911

pirandello tutte le novelle rli classici italian edition ebook - Nov 05 2022

web pirandello tutte le novelle rli classici italian edition ebook pirandello luigi rli amazon in kindle store

pirandello tutte le novelle rli classici italian edition kindle - May 11 2023

web feb 19 2014 tutte le novelle rli classici italian edition kindle edition by pirandello luigi rli download it once and read it on your kindle device pc phones

pirandello tutte le novelle rli classici italian edition ebook - Mar 09 2023

web pirandello tutte le novelle rli classici italian edition ebook pirandello luigi rli amazon de kindle shop

pirandello tutte le novelle rli classici italian rodica - Dec 26 2021

web of our books once this one merely said the pirandello tutte le novelle rli classici italian is universally compatible afterward any devices to read the jewish museum new

pirandello tutte le novelle rli classici italian edition ebook - Aug 02 2022

web pirandello tutte le novelle rli classici italian edition ebook pirandello luigi rli amazon es tienda kindle

pirandello tutte le novelle rli classici italian edition ebook - Apr 10 2023

web pirandello tutte le novelle rli classici italian edition ebook pirandello luigi rli amazon com au kindle store

novelle luigi pirandello giulio einaudi editore et classici - Jan 27 2022

web narrativa italiana narrativa italiana dalle origini all ottocento novelle luigi pirandello novelle et classici quand ero matto non mi sentivo in me stesso che è come dire

pirandello tutte le novelle rli classici italian edition - Jul 01 2022

web compre o ebook pirandello tutte le novelle rli classici italian edition de pirandello luigi rli na loja ebooks kindle encontro ofertas os livros mais vendidos

pirandello tutte le novelle rli classici italian app oaklandlibrary - Sep 03 2022

web 2 pirandello tutte le novelle rli classici italian 2021 12 07 this work has been proofread and republished using a format that seamlessly blends the original graphical elements

pirandello tutte le novelle rli classici italian edition ebook - Jul 13 2023

web pirandello tutte le novelle rli classici italian edition ebook pirandello luigi rli amazon ca kindle store

[amazon co jp pirandello tutte le novelle rli classici italian](#) - May 31 2022

web feb 19 2014 amazon co jp pirandello tutte le novelle rli classici italian edition pirandello luigi rli

pirandello tutte le novelle rli classici italian full pdf old vulkk - Dec 06 2022

web pirandello tutte le novelle rli classici italian downloaded from old vulkk com by guest amiya sylvia the history of medieval europe univ of california press described as

[pirandello tutte le novelle rli classici italian edition ebook](#) - Jan 07 2023

web achetez et téléchargez ebook pirandello tutte le novelle rli classici italian edition boutique kindle littérature amazon fr

pirandello tutte le novelle rli classici italian edition kindle - Feb 08 2023

web feb 19 2014 amazon co jp pirandello tutte le novelle rli classici italian edition ebook pirandello luigi rli foreign language books

tutte le novelle vol 1 pirandello luigi ebook libreria ibs - Nov 24 2021

web tutte le novelle vol 1 è un ebook di pirandello luigi pubblicato da rizzoli nella collana bur classici moderni a 5 99 il file è in formato epub3 con adobe drm risparmia

amazon com pirandello - Feb 25 2022

web in silenzio raccolta di 15 racconti del premio nobel luigi pirandello piccola biografia classici dimenticati italian edition italian edition by luigi pirandello and massimo

pirandello tutte le novelle rli classici italian edition - Jun 12 2023

web amazon com pirandello tutte le novelle rli classici italian edition ebook pirandello luigi rli tienda kindle

pirandello tutte le novelle rli classici italian 2022 - Oct 24 2021

web pirandello tutte le novelle rli classici italian 5 5 landmark book is unanimously regarded as the definitive work on the subject of women s psychology now back in

[amazon it le novelle di pirandello](#) - Apr 29 2022

web tutte le novelle 1884 1901 l amica delle mogli il marito di mia moglie lumie di sicilia e altre novelle vol 1 di luigi pirandello e lucio lugnani 4 1 su 5 stelle 10

pirandello tutte le novelle rli classici formato kindle - Aug 14 2023

web le novelle sono ogni volta sorprendenti per la ricchezza dei contenuti e per la perfezione della forma la montelusa di pirandello è descritta in un italiano perfetto elegante musicale ti senti in sicilia anche e forse di più che se le frasi fossero dette in siciliano