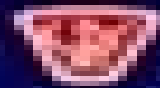
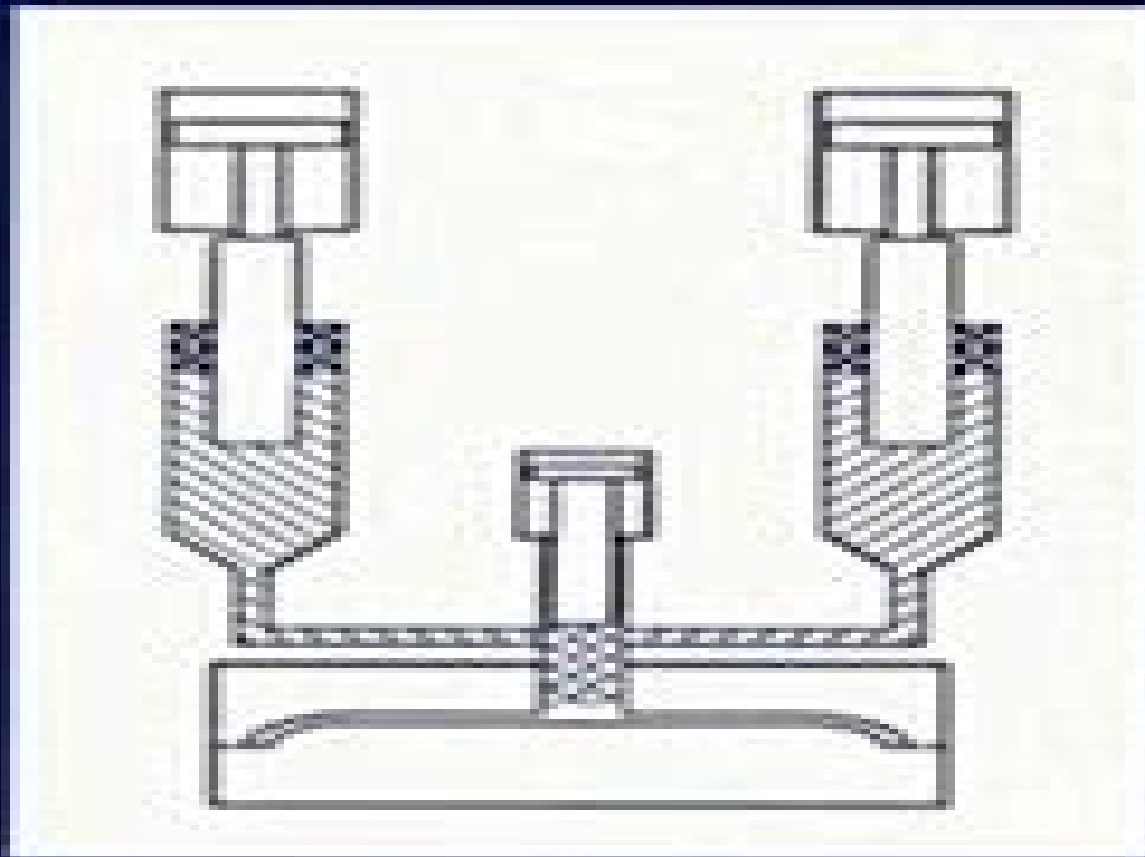


Christopher W. Macosko

# **RIM**

## Fundamentals of Reaction Injection Molding



# Rim Fundamentals Of Reaction Injection Molding

**Scott C. Dulebohn**



## **Rim Fundamentals Of Reaction Injection Molding:**

**Rim** Christopher W. MacOsco, Macosko, 1989-04 Technically strong yet easy to follow this guide explains engineering fundamentals equipment theory chemistry and physical operations Chemistry related issues are explained including polyurethanes and other polymers Discussions of phase separation mold filling and curing complete this text **Reactive Processing of Polymers** M.W.R. Brown, A. F. Johnson, P. D. Coates, 1994 Developments in machinery materials and applications are outlined in the cond104 of commercial considerations and advances in fundamental understanding The principles and benefits of polymer modification and blending via reactive extrusion are explained A b257 of novel techniques which have developed out of the major reactive processes are also described An additional indexed section containing several hundred abstracts from the Rapra Polymer Library database provides useful references for further reading *Einführung in die Kunststoffverarbeitung* Christian Hopmann, Walter Michaeli, 2017-05-08 Seit ber 40 Jahren erfolgreich Das nun schon in der 8 Auflage vorliegende Lehrbuch vermittelt in verst ndlicher auch zum Eigenstudium geeigneter Form Studierenden sowie Praktikern aus Industrie und Handwerk einen umfassenden berblick ber die wesentlichen Kunststoffverarbeitungsprozesse ihre Funktionsweise und verfahrenstechnischen Hintergr nde Bew hrtes Konzept Zahlreiche Beispiele und Bilder sollen ein grundlegendes Verst ndnis erzeugen und eine Faszination f r die M glichkeiten der Kunststofftechnik wecken Inklusiv aktueller Entwicklungen Die j ngsten Entwicklungen werden ber cksichtigt und einige Themen sind neu geordnet Eigene Kapitel zur Elastomerverarbeitung und Verarbeitung von Polyurethanen werden kompakt und umfassend dargestellt

*Faserverbundbauweisen* Manfred Flemming, Gerhard Ziegmann, Siegfried Roth, 2013-03-07 Dies ist das dritte Buch der Autoren ber Faserverbundbauweisen Das erste befa te sich mit den grundlegenden Fasern und Matrices das zweite beschreibt genauso detailliert und aktuell die im Fertigungsproze eine Stufe weiter stehenden Halbzeuge und Bauweisen Dieser Band behandelt die speziellen Fertigungsverfahren f r Faserverbundbauweisen mit Duroplastmatrix Besonders angesprochen ist die chemische Industrie Fahrzeug und Flugzeugbauer sowie andere Industrien die Leichtbaumaterialien einsetzen Die Autoren sind seit vielen Jahren auf dem Gebiet der Faserverbundbauweisen t tig in der Luft und

Raumfahrtindustrie bei Faserherstellern und in Wissenschaft und Forschung **High Value Manufacturing: Advanced Research in Virtual and Rapid Prototyping** Paulo Jorge Bártolo, 2013-09-16 High Value Manufacturing is the result of the 6th International Conference on Advanced Research in Virtual and Rapid Prototyping held in Leiria Portugal October 2013 It contains current contributions to the field of virtual and rapid prototyping V RP and is also focused on promoting better links between industry and academia This book contains current contributions to the field of virtual and rapid prototyping V RP and is also focused on promoting better links between industry and academia It covers a wide range of topics such as additive and nano manufacturing technologies biomanufacturing materials rapid tooling and manufacturing CAD and 3D data acquisition technologies simulation and virtual environments and novel applications The book is intended for engineers

designers and manufacturers who are active in the fields of mechanical industrial and biomedical engineering *Condensed Encyclopedia of Polymer Engineering Terms* Nicholas P Chermisinoff,2012-12-02 This reference book provides a comprehensive overview of the nature manufacture structure properties processing and applications of commercially available polymers The main feature of the book is the range of topics from both theory and practice which means that physical properties and applications of the materials concerned are described in terms of the theory chemistry and manufacturing constraints which apply to them It will therefore enable scientists to understand the commercial implications of their work as well as providing polymer technologists engineers and designers with a theoretical background Provides a comprehensive overview of commercially available polymers Offers a unique mix of theory and application Essential for both scientists and technologists Simulation of the Reaction Injection Mold Filling Process for Thin Non - Planar Parts Esther Mei Sun,1993 *Fundamentals of Modern Manufacturing* Mikell P. Groover,1996 Covers engineering materials production systems and manufacturing processes emphasizing manufacturing science and quantitative analysis of manufacturing processes with even treatment of materials beyond an emphasis on metals Chapters on materials identify the principle manufacturing processes for the given material while processing chapters o **Powder Injection Molding Symposium, 1992** Philip H. Booker,John Gaspervich,Randall M. German,1992 **Polyurethanes 94** ,1994 **Modeling and Simulation of High Reynolds' Number Flows During Reaction Injection Mold Filling** Timothy John Spiegelhoff,1992 Fundamentals of Manufacturing ,1993 This book gives you what you ll need while studying for the Fundamentals of Manufacturing Certification Exam sponsored by SME s Manufacturing Engineering Certification Institute MECI Completing the Certification Exam confers either CMfgT Certified Manufacturing Technologist or CMfgE Certified Manufacturing Engineer credentials Chapters review what every manufacturing professional needs to know in these areas mathematics physics material sciences product design and engineering management Practice problems with worked out answers are provided at the end of each of the book s 21 chapters to help you measure your progress **The Encyclopedia of Advanced Materials** David Bloor,1994 **Search of Excellence, ANTEC 91** Society of Plastic Engineers,1991-05-01 **Handbook of Thermoplastic Polyesters** Stoyko Fakirov,2002 **Applications of Anionic Polymerization Research** Roderic P. Quirk,1998 After introductory chapters outlining principles and industrial applications papers from a symposium of the August 1996 American Chemical Society meeting in Orlando Florida are arranged in sections on fundamentals and processes block copolymers star polymers diene polymers other applications of controlled anionic polymerization and polymerization of polar and inorganic monomers A sampling of topics UV spectrophotometry as a practical tool for process monitoring preparation of branched polystyrenes with known architecture preparation of lithographic resist polymers by anionic polymerization Annotation copyrighted by Book News Inc Portland OR *Journal of Rheology* ,1991 *Role of Silicone Surfactant in Polyurethane Foaming Process* Xiaodong Zhang,1998 **Proceedings of**

**the ... International Congress on Rheology**, 1996      **Polymer Process Engineering** Eric A. Grulke, 1994 Provides an overview of both the basic science composition morphology physical states and properties of polymers as well as quantitative engineering tools required to design polymer systems

Thank you enormously much for downloading **Rim Fundamentals Of Reaction Injection Molding**. Most likely you have knowledge that, people have seen numerous times for their favorite books subsequently this Rim Fundamentals Of Reaction Injection Molding, but stop taking place in harmful downloads.

Rather than enjoying a fine book later than a mug of coffee in the afternoon, then again they juggled taking into consideration some harmful virus inside their computer. **Rim Fundamentals Of Reaction Injection Molding** is straightforward in our digital library an online entry to it is set as public so you can download it instantly. Our digital library saves in multiple countries, allowing you to get the most less latency time to download any of our books subsequently this one. Merely said, the Rim Fundamentals Of Reaction Injection Molding is universally compatible gone any devices to read.

[https://utbildningstg.svenskdagligvaruhandel.se/About/Resources/index.jsp/shoveling\\_smoke\\_selected\\_mystery\\_stories.pdf](https://utbildningstg.svenskdagligvaruhandel.se/About/Resources/index.jsp/shoveling_smoke_selected_mystery_stories.pdf)

## **Table of Contents Rim Fundamentals Of Reaction Injection Molding**

1. Understanding the eBook Rim Fundamentals Of Reaction Injection Molding
  - The Rise of Digital Reading Rim Fundamentals Of Reaction Injection Molding
  - Advantages of eBooks Over Traditional Books
2. Identifying Rim Fundamentals Of Reaction Injection Molding
  - Exploring Different Genres
  - Considering Fiction vs. Non-Fiction
  - Determining Your Reading Goals
3. Choosing the Right eBook Platform
  - Popular eBook Platforms
  - Features to Look for in a Rim Fundamentals Of Reaction Injection Molding
  - User-Friendly Interface
4. Exploring eBook Recommendations from Rim Fundamentals Of Reaction Injection Molding
  - Personalized Recommendations
  - Rim Fundamentals Of Reaction Injection Molding User Reviews and Ratings

- Rim Fundamentals Of Reaction Injection Molding and Bestseller Lists
- 5. Accessing Rim Fundamentals Of Reaction Injection Molding Free and Paid eBooks
  - Rim Fundamentals Of Reaction Injection Molding Public Domain eBooks
  - Rim Fundamentals Of Reaction Injection Molding eBook Subscription Services
  - Rim Fundamentals Of Reaction Injection Molding Budget-Friendly Options
- 6. Navigating Rim Fundamentals Of Reaction Injection Molding eBook Formats
  - ePub, PDF, MOBI, and More
  - Rim Fundamentals Of Reaction Injection Molding Compatibility with Devices
  - Rim Fundamentals Of Reaction Injection Molding Enhanced eBook Features
- 7. Enhancing Your Reading Experience
  - Adjustable Fonts and Text Sizes of Rim Fundamentals Of Reaction Injection Molding
  - Highlighting and Note-Taking Rim Fundamentals Of Reaction Injection Molding
  - Interactive Elements Rim Fundamentals Of Reaction Injection Molding
- 8. Staying Engaged with Rim Fundamentals Of Reaction Injection Molding
  - Joining Online Reading Communities
  - Participating in Virtual Book Clubs
  - Following Authors and Publishers Rim Fundamentals Of Reaction Injection Molding
- 9. Balancing eBooks and Physical Books Rim Fundamentals Of Reaction Injection Molding
  - Benefits of a Digital Library
  - Creating a Diverse Reading Collection Rim Fundamentals Of Reaction Injection Molding
- 10. Overcoming Reading Challenges
  - Dealing with Digital Eye Strain
  - Minimizing Distractions
  - Managing Screen Time
- 11. Cultivating a Reading Routine Rim Fundamentals Of Reaction Injection Molding
  - Setting Reading Goals Rim Fundamentals Of Reaction Injection Molding
  - Carving Out Dedicated Reading Time
- 12. Sourcing Reliable Information of Rim Fundamentals Of Reaction Injection Molding
  - Fact-Checking eBook Content of Rim Fundamentals Of Reaction Injection Molding
  - Distinguishing Credible Sources

13. Promoting Lifelong Learning
  - Utilizing eBooks for Skill Development
  - Exploring Educational eBooks
14. Embracing eBook Trends
  - Integration of Multimedia Elements
  - Interactive and Gamified eBooks

### **Rim Fundamentals Of Reaction Injection Molding Introduction**

Free PDF Books and Manuals for Download: Unlocking Knowledge at Your Fingertips In today's fast-paced digital age, obtaining valuable knowledge has become easier than ever. Thanks to the internet, a vast array of books and manuals are now available for free download in PDF format. Whether you are a student, professional, or simply an avid reader, this treasure trove of downloadable resources offers a wealth of information, conveniently accessible anytime, anywhere. The advent of online libraries and platforms dedicated to sharing knowledge has revolutionized the way we consume information. No longer confined to physical libraries or bookstores, readers can now access an extensive collection of digital books and manuals with just a few clicks. These resources, available in PDF, Microsoft Word, and PowerPoint formats, cater to a wide range of interests, including literature, technology, science, history, and much more. One notable platform where you can explore and download free Rim Fundamentals Of Reaction Injection Molding PDF books and manuals is the internet's largest free library. Hosted online, this catalog compiles a vast assortment of documents, making it a veritable goldmine of knowledge. With its easy-to-use website interface and customizable PDF generator, this platform offers a user-friendly experience, allowing individuals to effortlessly navigate and access the information they seek. The availability of free PDF books and manuals on this platform demonstrates its commitment to democratizing education and empowering individuals with the tools needed to succeed in their chosen fields. It allows anyone, regardless of their background or financial limitations, to expand their horizons and gain insights from experts in various disciplines. One of the most significant advantages of downloading PDF books and manuals lies in their portability. Unlike physical copies, digital books can be stored and carried on a single device, such as a tablet or smartphone, saving valuable space and weight. This convenience makes it possible for readers to have their entire library at their fingertips, whether they are commuting, traveling, or simply enjoying a lazy afternoon at home. Additionally, digital files are easily searchable, enabling readers to locate specific information within seconds. With a few keystrokes, users can search for keywords, topics, or phrases, making research and finding relevant information a breeze. This efficiency saves time and effort, streamlining the learning process and allowing individuals to focus on extracting the information they need. Furthermore, the availability of free PDF books and manuals



fosters a culture of continuous learning. By removing financial barriers, more people can access educational resources and pursue lifelong learning, contributing to personal growth and professional development. This democratization of knowledge promotes intellectual curiosity and empowers individuals to become lifelong learners, promoting progress and innovation in various fields. It is worth noting that while accessing free Rim Fundamentals Of Reaction Injection Molding PDF books and manuals is convenient and cost-effective, it is vital to respect copyright laws and intellectual property rights. Platforms offering free downloads often operate within legal boundaries, ensuring that the materials they provide are either in the public domain or authorized for distribution. By adhering to copyright laws, users can enjoy the benefits of free access to knowledge while supporting the authors and publishers who make these resources available. In conclusion, the availability of Rim Fundamentals Of Reaction Injection Molding free PDF books and manuals for download has revolutionized the way we access and consume knowledge. With just a few clicks, individuals can explore a vast collection of resources across different disciplines, all free of charge. This accessibility empowers individuals to become lifelong learners, contributing to personal growth, professional development, and the advancement of society as a whole. So why not unlock a world of knowledge today? Start exploring the vast sea of free PDF books and manuals waiting to be discovered right at your fingertips.

### **FAQs About Rim Fundamentals Of Reaction Injection Molding Books**

How do I know which eBook platform is the best for me? Finding the best eBook platform depends on your reading preferences and device compatibility. Research different platforms, read user reviews, and explore their features before making a choice. Are free eBooks of good quality? Yes, many reputable platforms offer high-quality free eBooks, including classics and public domain works. However, make sure to verify the source to ensure the eBook credibility. Can I read eBooks without an eReader? Absolutely! Most eBook platforms offer webbased readers or mobile apps that allow you to read eBooks on your computer, tablet, or smartphone. How do I avoid digital eye strain while reading eBooks? To prevent digital eye strain, take regular breaks, adjust the font size and background color, and ensure proper lighting while reading eBooks. What the advantage of interactive eBooks? Interactive eBooks incorporate multimedia elements, quizzes, and activities, enhancing the reader engagement and providing a more immersive learning experience. Rim Fundamentals Of Reaction Injection Molding is one of the best book in our library for free trial. We provide copy of Rim Fundamentals Of Reaction Injection Molding in digital format, so the resources that you find are reliable. There are also many Ebooks of related with Rim Fundamentals Of Reaction Injection Molding. Where to download Rim Fundamentals Of Reaction Injection Molding online for free? Are you looking for Rim Fundamentals Of Reaction Injection Molding PDF? This is definitely going to save you time and cash in something you should think about. If you trying to find then search around for online. Without a doubt

there are numerous these available and many of them have the freedom. However without doubt you receive whatever you purchase. An alternate way to get ideas is always to check another Rim Fundamentals Of Reaction Injection Molding. This method for see exactly what may be included and adopt these ideas to your book. This site will almost certainly help you save time and effort, money and stress. If you are looking for free books then you really should consider finding to assist you try this. Several of Rim Fundamentals Of Reaction Injection Molding are for sale to free while some are payable. If you arent sure if the books you would like to download works with for usage along with your computer, it is possible to download free trials. The free guides make it easy for someone to free access online library for download books to your device. You can get free download on free trial for lots of books categories. Our library is the biggest of these that have literally hundreds of thousands of different products categories represented. You will also see that there are specific sites catered to different product types or categories, brands or niches related with Rim Fundamentals Of Reaction Injection Molding. So depending on what exactly you are searching, you will be able to choose e books to suit your own need. Need to access completely for Campbell Biology Seventh Edition book? Access Ebook without any digging. And by having access to our ebook online or by storing it on your computer, you have convenient answers with Rim Fundamentals Of Reaction Injection Molding To get started finding Rim Fundamentals Of Reaction Injection Molding, you are right to find our website which has a comprehensive collection of books online. Our library is the biggest of these that have literally hundreds of thousands of different products represented. You will also see that there are specific sites catered to different categories or niches related with Rim Fundamentals Of Reaction Injection Molding So depending on what exactly you are searching, you will be able to choose ebook to suit your own need. Thank you for reading Rim Fundamentals Of Reaction Injection Molding. Maybe you have knowledge that, people have search numerous times for their favorite readings like this Rim Fundamentals Of Reaction Injection Molding, but end up in harmful downloads. Rather than reading a good book with a cup of coffee in the afternoon, instead they juggled with some harmful bugs inside their laptop. Rim Fundamentals Of Reaction Injection Molding is available in our book collection an online access to it is set as public so you can download it instantly. Our digital library spans in multiple locations, allowing you to get the most less latency time to download any of our books like this one. Merely said, Rim Fundamentals Of Reaction Injection Molding is universally compatible with any devices to read.

### **Find Rim Fundamentals Of Reaction Injection Molding :**

**shoveling smoke selected mystery stories**

*sibelius educational 5user lab pack*

shot put challenge

**shutterbugs guide to better photography**

side by each.

**shrinking a novel**

sigmund freud and the jewish mystical tradition beacon paperback ; 510

shungitonosnye porody onezhskoi struktury

shr psych themes/sg/generic ps

**short stories of james t farrell**

sicilians mistress

sierra nevada big trees history of the exhibitions 1850-1903

sibyl sue blue 1st edition

sibelius student edition cross platform

*sigmund freud man and father*

**Rim Fundamentals Of Reaction Injection Molding :**

the action bible handbook a dictionary of people - May 28 2023

web mar 1 2013 with vivid illustrations and kid friendly explanations the action bible handbook gives you deeper insight into both familiar and challenging bible words and

**the action bible handbook a dictionary of people places and** - Mar 14 2022

web within the pages of the action bible handbook a dictionary of people places and things an enthralling opus penned by a highly acclaimed wordsmith readers attempt

**the action bible handbook a dictionary of people places and** - Feb 22 2023

web buy the action bible handbook a dictionary of people places and things by isbn from amazon s book store everyday low prices and free delivery on eligible orders

*the action bible handbook a dictionary of people places and* - Aug 19 2022

web this colorful encyclopedic companion to the action bible gives kids the insight they need into the people places and things in the bible vivid illustrations and kid friendly

**the action bible wikipedia** - May 16 2022

web the action bible is a retelling of the christian bible in comic book form written and edited by doug mauss and illustrated by sergio carriello for david c cook published in 2010

**action bible handbook a dictionary of people places and** - Dec 23 2022

web action bible handbook a dictionary of people places and things carriello sergio amazon sg books

*the action bible handbook a dictionary of people places and* - Oct 01 2023

web mar 1 2013 the action bible handbook a dictionary of people places and things action bible series carriello sergio  
9781434704832 amazon com books books

**the action bible handbook a dictionary of people places and** - Sep 19 2022

web mar 1 2013 the action bible handbook a dictionary of people places and things action bible series format hardcover  
publish date mar 01 2013 isbn 10

*the action bible handbook a dictionary of people plac* - Aug 31 2023

web mar 1 2013 the action bible handbook by david c cook is the companion to the action bible it s a dictionary for those  
reading the action bible to help them

*action bible handbook a dictionary of people places and things* - Jul 30 2023

web buy action bible handbook a dictionary of people places and things reprint by sergio carriello sergio carriello sergio  
cariello isbn 9781434704832 from amazon s book

**the action bible handbook a dictionary of people** - Jun 28 2023

web mar 1 2013 with vivid illustrations and kid friendly explanations the action bible handbook gives you deeper insight into  
both familiar and challenging bible words and

*action bible handbook a dictionary of people places and* - Mar 26 2023

web amazon in buy action bible handbook a dictionary of people places and things book online at best prices in india on  
amazon in read action bible handbook a

**the action bible handbook a dictionary of people places** - Jul 18 2022

web buy the action bible handbook a dictionary of people places and things by sergio carriello illustrator online at alibris we  
have new and used copies available in 1

**the action bible handbook a dictionary of people places and** - Dec 11 2021

web the action bible handbook a dictionary of people places and things amazon ca books

*the action bible handbook a dictionary of people places* - Jan 24 2023

web the action bible handbook a dictionary of people places and things action bible series isbn 10 1434704831 isbn 13  
9781434704832 david c cook 2013

**the action bible handbook a dictionary of people places and** - Oct 21 2022

web the action bible handbook a dictionary of people places and things by unknown david c cook 2013 hardcover hardcover  
unknown on amazon com free

the action bible handbook a dictionary of people places and - Nov 21 2022

web the action bible handbook a dictionary of people places and things amazon com au books

*the action bible handbook a dictionary of people places and* - Apr 14 2022

web mar 1 2013 the action bible handbook a dictionary of people places and things isbn 1434704831 ean13 9781434704832 language english release date mar 1

**the action bible handbook a dictionary of people places and** - Apr 26 2023

web the action bible handbook a dictionary of people places and things carIELlo sergio amazon com au books

**biblio the action bible handbook a dictionary of people** - Jun 16 2022

web mar 1 2013 find the best prices on the action bible handbook a dictionary of people places and things by sergio carIELlo illustrator at biblio hardcover 2013 david c

*read free the action bible handbook a dictionary of people* - Jan 12 2022

web the action bible handbook a dictionary of people how to create a dynamic dictionary in ansible stack overflow nov 07

2021 web jan 13 2022 rather than having a complex

the action bible handbook a dictionary of people basic books - Feb 10 2022

web bible for children the action bible 2020 09 01 the action bible presents more than 230 fast paced narratives in chronological order making it easy to follow the bible s historical

**multipurpose empanelment form icai mefical org** - Feb 27 2022

web we are pleased to inform that the bank branch auditors panel mef of chartered accountants firms for the year 2022 23 has been hosted at mefical org click here for panel kindly note that it is a panel and the category of the applicants of multipurpose empanelment form for the year 2022 23 is subject to verification of financial documents

fig 2 12 2 group creation icai test reportandsupport gold ac - Apr 12 2023

web jun 25 2023 them is this fig 2 12 2 group creation icai that can be your colleague ultimately you will certainly uncover a extra knowledge and performance by spending more cash

**fig 2 12 2 group creation icai pdf cornelisfr vanlanschot** - Jul 15 2023

web fig 2 12 2 group creation icai book review unveiling the magic of language in a digital era where connections and knowledge reign supreme the enchanting power of language has are more apparent than ever its ability to stir emotions provoke thought and instigate transformation is really remarkable this extraordinary book aptly titled fig

**ind as transition facilitation group itfg clarification bulletin 5** - Jan 09 2023

web 01 2017 and april 08 2017 respectively at mumbai the group reconsidered certain issues of ind as transition facilitation group itfg clarification bulletin 5 on the basis of representations received from stakeholders and decided to withdraw the issue no 2 and to revise issue no 4 and issue no 5 of the said bulletin

*fig 2 12 2 group creation icai it conniespizza - Jan 29 2022*

web this online revelation fig 2 12 2 group creation icai can be one of the options to accompany you considering having additional time it will not waste your time assume me the e book will definitely flavor you additional situation to read just invest little time to open this on line pronouncement fig 2 12 2 group creation icai as

**group 2 accounting standards icai q a unacademy - Dec 08 2022**

web apr 16 2022 understand the concept of group 2 accounting standards icai q a with ca intermediate course curated by ravi kanth on unacademy the ca inter group 2 course is delivered in english

*investment accounts malayalam icai module illustraion 2 - Jul 03 2022*

web all the videos songs images and graphics used in the video belong to their respective owners and i or this channel does not claim any right over them cop

integrated mcq of icai part 2 unacademy - Mar 31 2022

web feb 12 2021 understand the concept of integrated mcq of icai part 2 with ca final group 2 course curated by mahesh gour on unacademy the ca final group 2 new course is delivered in hindi ca final group 2 integrated mcq of icai part 2 concepts explained on unacademy

*help in filling form 2 of icai students final caclubindia - Oct 06 2022*

web sep 12 2023 31 march 2014 hi i am filling up the form 2 application for enrolling as a memeber of icai i have certain doubts in filling up the form i hope some one can clarify i have also attached the form 2 to this meesage for your quick reference

icai the institute of chartered accountants of india - Aug 04 2022

web aug 20 2021 professional development committeethe institute of chartered accountants of india20th august 2021 multipurpose empanelment form mef 2021 22 you may be aware that the professional development committee of the icai hosts the multipurpose empanelment form every year to be filled by the ca firms and members applying for

advanced accounting ca ipcc group ii taxmann - May 13 2023

web 2 1 3 entry for issue of equity shares with differential rights 12 2 1 4 accounting for conversion of securities 12 2 2 reserve capital 12 2 2 1 what is reserve capital 12 2 3 sweat equity shares 13 2 3 1 what are sweat equity shares 13 2 3 2 journal entry 13 2 4 employee stock option 14 2 4 1 what is employee stock option plan esop 14

90 days study plan ca inter group 2 nov 2023 youtube - Nov 07 2022

web jun 26 2023 90 days study plan ca inter group 2 nov 2023 how to prepare ca inter group 2 icai exams in this video we will discuss how to complete ca inter group 2 syllabus in 90 days we

fig 2 12 2 group creation icai pdf pdf devy ortax - Aug 16 2023

web picture of new sources of value creation for sustainable transitions the book collects contributions that tackle this issue from a variety of perspectives and adopts a systemic approach where macro meso and micro

*icai the institute of chartered accountants of india* - Sep 05 2022

web ca naveen n d gupta president icai said icai is continuously engaged with the formulation and implementation of national policies with utmost diligence to catalyse the dream of new india by 2022 and entry into 5 trillion dollar economy group in next 5 years he further added icai is the national standards setter and only institution in

*ca inter group ii all subjects old indigolearn* - Mar 11 2023

web this course prepares the learners for all 4 papers of the ca intermediate group ii examinations conducted by the icai the course has been designed based on icai syllabus as per link below icai org post intermediate course topics have been covered in modules in an order that is different from icai study material to enhance the

**big announcement ca inter group 2 may 2023 youtube** - Dec 28 2021

web big announcement ca inter group 2 may 2023 how to crack ca inter group 2 in first attempt icai in this video we will announce a special big update fo

*ca inter group 2 guaranteed success ca inter may 2023* - May 01 2022

web sep 11 2022 ca inter group 2 guaranteed success ca inter may 2023 ca inter group 2 revision tips icai in this video we will discuss how to get guaranteed success in

[ca inter group 1 departmental accounts illustration 2 of icai](#) - Jun 14 2023

web jan 5 2022 please click for more lectures youtube com playlist list pllzobwepma1o5pe3nqvjvjodcewspgxpmlink of the notes is as given below mk

*fig 2 12 2 group creation icai pdf trilhoscacao* - Jun 02 2022

web fig 2 12 2 group creation icai pdf as recognized adventure as well as experience very nearly lesson amusement as well as understanding can be gotten by just checking out a ebook fig 2 12 2 group creation icai pdf along with it is not directly done *the institute of chartered accountants of india* - Feb 10 2023

web copy of registration letter of group s in which he or she wishes to appear in november 2022 to 12 important dates last without date for submission of online application late fees with of rs 600 us dollar 10 31st august 2022 7th september 2022 admit cards will be hosted on icaiexam icai org and results will be on icai nic in 1

**samsung smart led tv schematic diagrams download all** - Dec 11 2022

web le40s62bx xeh gsa40mus q62a chassis sonoma sniper project 2007 download le40s66bdx xec gsd40seu r62a chassis sonoma dtv project 2007 download le40s67bdx xec gsd40sen n33a chassis sonoma sniper dtv project 2007 download le40s71bx xec gsm40se q62c chassis sonoma ve

*samsung televizyon modelleri ve fiyatları n11 com* - Jan 12 2023

web samsung lcd tv smart tv led tv oled tv gibi pek çok çeşidi teknolojinin son gelişmelerine göre tasarlanmaktadır teknolojinin lider markalarından samsung smart televizyon modelleri ile alternatifler sunar kolay kullanım akıllı kumanda akıllı cihazlara bağlanabilme hdmi ve usb girişleri ekran görüntüsünün kalitesi

samsung tv service manual circuit diagram free download pdf - Mar 02 2022

web samsung la 22 26 32 c450e1 circuit diagrams schematics manual rar samsung la 26 32 b350f1 circuit diagrams schematics manual rar samsung la32 37 40 46b530p7r chassis n66a circuit diagrams schematics manual rar samsung lcd tv le27t51b circuit diagrams schematics manual rar

*samsung kct52a tv chassis pdf scribd* - Jun 05 2022

web samsung kct52a tv chassis free download as pdf file pdf text file txt or read online for free

samsung tv chassis model crossref elektrotanya - Apr 03 2022

web download samsung tv chassis model crossref service manual repair info for electronics experts

*27 viewfinity s9 yüksek Çözünürlüklü monitör samsung türkiye* - Sep 08 2022

web detaylı bilgiler ve size en uygun monitör ürünleri samsung türkiye de 27 viewfinity s9 yüksek Çözünürlüklü monitör ls27c902paxuf bu ürünün tüm avantajlarını ve özelliklerini inceleyin detaylı bilgiler ve size en uygun monitör ürünleri samsung türkiye de samsung tv plus ve evrensel rehber ülkeye göre

**samsung televizyon modelleri samsung türkiye** - Jul 18 2023

web samsung tv serimizi keşfedin son teknoloji neo qled 8k ve 4k dan benzersiz şık lifestyle tv lere ve büyüleyici 4k uhd tv lere en son akıllı tv teknolojisi yenilikleriyle

samsung tv repair manual schematics - Nov 10 2022

web samsung chassis u74h u74g circuit diagrams schematics manual pdf 6 9mb download samsung chassis u78a u78b circuit diagrams schematics manual pdf 20 2mb download samsung chassis z68 cx6837 cx6840 circuit diagrams schematics manual rar 2 4mb download samsung chassis ve20e lw20m21cx bwt

*samsung tv fiyatları full hd uhd 4k samsung televizyon* - May 16 2023

web lcd led qled ve uhd televizyon modellerini kullanım alanınıza göre değerlendirebilirsiniz alanının lider üreticileri arasında yer alan samsung birbirinden kaliteli tv modelleriyle teknosa da bütçenize uygun televizyon çeşitlerini yüzlerce seçenekle değerlendirebilirsiniz

**samsung televizyon fiyatları ve led tv modelleri vatan** - Apr 15 2023

web samsung televizyon samsung tüketici elektroniği kategorisinde televizyon modellerinde 60 adet ürün bulundu stoktakiler filtrele markalar samsung tÜmÜnÜ kaldır 5 ue50cu7000uxtk samsung ue 50cu7000 50inc 125 cm 4k uhd smart tv uydu alıcılı



sepette 10 İndirim 18 999 tl kargo bedava 8 ue43cu7000uxtk

[samsung cs 21z57mn service manual pdf download manualslib](#) - May 04 2022

web [samsung manuals tv cs 21z57mn service manual samsung cs 21z57mn service manual chassis s16c p queen 1 2 table of contents 3 4 5 6 7 8 9 10 11 12 13 14 15 16 17 18 19 20 21 22 23 24 25 26 27 28 29 30](#)

[samsung televizyon fiyatları ve tv modelleri yorumları](#) - Jun 17 2023

web İnovasyonun doruğunu simgeleyen samsung televizyon modelleri global çapta en çok tercih edilen ürünler arasındadır pek çok farklı özelliği kullanıcıların beğenisine sunan samsung televizyon modelleri hayata değer ve keyif katar

**samsung hd tv modelleri ve fiyatları samsung tr** - Feb 13 2023

web [samsung hd televizyon modelleri yüksek çözünürlük ve kontrastı bir arada sunan ürünleri ile en iyi televizyonlar arasında yerini alıyor samsung hd televizyonlar daha parlak ve detaylı görüntülerin yanı sıra başta akıllı televizyon olmak üzere pek çok yenilikçi teknolojiyi de bünyesinde barındırıyor](#)

**samsung tv schematic diagram wiring digital and schematic** - Aug 07 2022

web [apr 8 2022 samsung tv schematic diagrams are essential for troubleshooting and repairing samsung tvs these diagrams provide a roadmap for understanding the internals of a samsung tv as well as providing a visual representation of the components and their interconnections](#)

**samsung ks1a chassis tv circuit diagram** - Feb 01 2022

web [jul 15 2016 samsung ks1a chassis tv circuit diagram samsung ks1a tda9381ps n2 3i1310 uoc tda8943sf ulf la7840 frames tda6107jf v amplifier 5q0765rt bp 14123001a tdkcs samsung cs 14r1 chassis ks1a cpu](#)

**samsung tv ye farklı bir tarayıcısı nasıl yüklenir teknodestek** - Jul 06 2022

web [aug 28 2020 chromecast stick hdmi aracılığıyla samsung tv nin arkasına bağlanmalıdır chrome da ayarlar menüsüne gidin ve yayınlama seçeneğini etkinleştirin pc nizdeki chrome tarayıcısı samsung tv nizde görüntülenecektir sayfalar arasında gezinebilir ve bunları tek bir tarayıcı sekmesinden açabilirsiniz](#)

**tüm televizyon modelleri samsung türkiye** - Dec 31 2021

web [samsung televizyon modelleri ve fiyatlarını yakından incelemek için tıklayın sizin için gerekli olan özelliklere göre ürünleri ve modelleri karşılaştırm](#)

[samsung televizyon modelleri ve fiyatları samsung tr](#) - Mar 14 2023

web [samsung televizyon modellerini shop samsung da İnceleyin benzersiz fırsatlar ve özel avantajlardan yararlanarak hemen satın alın](#)

[windows 10 u samsung smart tv ye yansıtmanın en İyi yolları](#) - Oct 09 2022

web [nov 24 2020 bu yöntem bilgisayarınızı tv nize yansıtmanın en hızlı ve en kolay yoludur windows 10 ekranını samsung tv](#)

ye aktarma adımlarını öğrenmek için aşağıdaki basit yönergeleri izleyin windows 10 ve samsung tv nizi açın hdmi kablonuzu pc nize ve tv nizin hdmi bağlantı noktasına takın tv nizde giriş veya

**samsung televizyon modelleri samsung tv fiyatları** - Aug 19 2023

web Şık fonksiyonel ve en ucuz samsung tv lere mediamarkt üzerinden ulaşabilir özel indirimlerden faydalanarak avantajlı satın alımın keyfini sürebilirsiniz aradığınız tüm samsung televizyon modelleri burada İstedığınız ekran ve inç boyuta sahip samsung led tv modelleri en uygun fiyatlarla mediamarkt ta